









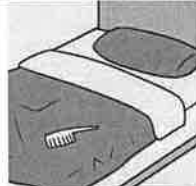
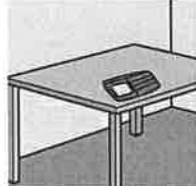





※手寫題請用黑色原子筆作答，違者一律扣 5 分!

第一部分、聽力測驗 15%

A. 辨識句意：根據聽到的內容，選出正確的圖片代碼。5% (每題 1 分)

( ) 1	(A) 	(B) 	(C) 
( ) 2	(A) 	(B) 	(C) 
( ) 3	(A) 	(B) 	(C) 
( ) 4	(A) 	(B) 	(C) 
( ) 5	(A) 	(B) 	(C) 

B. 基本問答：根據聽到的內容，選出合適的回應。5% (每題 1 分)

- ( ) 6. (A) Yes, I did. (B) Yes, I will. (C) Yes, I have.  
 ( ) 7. (A) Yes. Once. (B) For five years. (C) No, it was last week.  
 ( ) 8. (A) She cleaned the kitchen yesterday. (B) I have already cleaned the kitchen.  
 (C) She has already left for the market.  
 ( ) 9. (A) It's just a little bug. (B) It was sold yesterday. (C) It will be taken out soon.  
 ( ) 10. (A) No, it must be done by you. (B) No, it will be closed on Monday. (C) Yes, it has been changed many times.

C. 言談理解：根據聽到的對話內容與問題，選出正確的答案。5% (每題 1 分)

- ( ) 11. (A) He was sleeping. (B) He was watching TV. (C) He was doing his homework.  
 ( ) 12. (A) He is a lawyer. (B) He never feels tired. (C) He has been a police officer for many years.  
 ( ) 13. (A) He went to the dentist. (B) His boss just called him. (C) He didn't have enough sleep.  
 ( ) 14. (A) They've already been watered. (B) They must be watered twice a day.  
 (C) They will die if they are not watered for a day.  
 ( ) 15. (A) The woman won the tennis game. (B) The camera was bought by the woman.  
 (C) The man was planning to buy a camera.


第二部分、綜合測驗

一、語法選擇 30% (每題 2 分)

- ( ) 16. We will set \_\_\_\_\_ the firework to celebrate the coming new year. (A) for (B) off (C) on (D) to
- ( ) 17. Jeff has \_\_\_\_\_ to Singapore. The weather there is sunny now. (A) be (B) been (C) gone (D) go
- ( ) 18. Most people in the city are happy, \_\_\_\_\_ not Dr. Chen. (A) and (B) or (C) but (D) so
- ( ) 19. Have you \_\_\_\_\_ your dinner yet? (A) finish (B) finishes (C) finishing (D) finished
- ( ) 20. They have \_\_\_\_\_ had enough players on their team, so I can't join them. (A) for (B) ever (C) yet (D) already
- ( ) 21. Tom has lived on this island since he \_\_\_\_\_ young. (A) is (B) was (C) been (D) being
- ( ) 22. Mandy: Have you been to Canada? Mia: No, I never \_\_\_\_\_. (A) am (B) been (C) has (D) have
- ( ) 23. Brian \_\_\_\_\_ his toys to the charity many times. (A) donate (B) donated (C) donating (D) has donated
- ( ) 24. Vivian: Have you \_\_\_\_\_ tried blue cheese? Ben: No, I haven't. (A) ever (B) since (C) yet (D) never
- ( ) 25. This old building \_\_\_\_\_ in 1910. It's over one hundred years. (A) built (B) builds (C) was built (D) has been built
- ( ) 26. My notebook \_\_\_\_\_ by my sister in the living room. (A) finds (B) found (C) has found (D) was found
- ( ) 27. The boy will \_\_\_\_\_ some money to buy his gift. (A) give (B) be giving (C) given (D) be given
- ( ) 28. All the shoes should \_\_\_\_\_ in the box. (A) be put (B) be putting (C) put (D) have put
- ( ) 29. These plants \_\_\_\_\_ been watered yet. Could you please water them now? (A) haven't (B) aren't (C) can't (D) won't
- ( ) 30. The problem \_\_\_\_\_ already \_\_\_\_\_ fixed by Ted. This machine works very well.  
(A) has; X (B) has; been (C) was; been (D) must; been


二、克漏字測驗 8% (每題 1 分)

When I was little, my father always asked me (31) other people nicely. He has been a (32) for twenty years, and he is brave enough to fight all the bad guys in the city. He is a superhero to everyone. People like him, and often share lots of food with my family. I love my dad, (33) I am not a people person. Talking to people makes me tired. I am busy researching how machines work. I dream of being a(n) (34), so I can work alone without being bothered.

 research 研究 bother 打擾

- ( ) 31. (A) treats (B) to treat (C) treating (D) treated
- ( ) 32. (A) dentist (B) shopkeeper (C) police officer (D) secretary
- ( ) 33. (A) but (B) and (C) or (D) so
- ( ) 34. (A) band (B) engineer (C) secretary (D) mail carrier

It's Christmas Eve in London. Most people are happy, but not Scrooge. He (35) Christmas. And he never donates anything to charity. Scrooge is rich, and he is (36) to his clerk, Cratchit. He doesn't pay him much. One night, three ghosts come and tell him "You have (37) a selfish person since your sister's death; but now, you need to change." After seeing his past, present, and future, Scrooge makes up his mind to be a better person. Scrooge gives Cratchit more money and (38) lots of food to his family. He wants everyone to enjoy the holiday. He is a kind person now.

 selfish 自私的 make up one's mind 下定決心

- ( ) 35. (A) loves (B) hates (C) misses (D) plans
- ( ) 36. (A) patient (B) lovely (C) mean (D) healthy
- ( ) 37. (A) are (B) were (C) been (D) being
- ( ) 38. (A) sends (B) appears (C) pays (D) cheats


三、閱讀測驗 18% (每題 2 分)

What do you want to be in the future? Do you want to be a teacher, a driver, or a businessman? Or do you want to try something different? Now, more and more jobs are created by people. People may not have heard these jobs before, but some of them have already played an important role in our lives. A pet sitter is a good example.

Nowadays, people travel from country to country more frequently because they make more money than before. For people who have pets may have problems when they want to go abroad. A pet village may cost too much, and pets are happier at home. If pet owners let them stay at home alone, it will be a mess when pet owners come home. A pet sitter is here to help.

Coming from the idea of babysitters, many pet lovers choose to be pet sitters. In that way, they can earn money in the company of pets. During the time pet owners enjoy their trip, pet sitters will stay at their houses and take care of the pets; on the other hand, pets stay at home where they feel safe and relaxed. It's a win-win situation for pet owners and pet sitters. An experienced pet sitter can earn more than one million per year.

Try to think about solutions to problems, maybe you can create your dream job one day!


 role 角色 mess 混亂 in the company of 有...的陪伴 solution 解決辦法

- ( ) 39. Who does exercise the most frequently?
- (A) Sam. He runs three times a week. (B) May. She plays basketball once a year.  
(C) Elaine. She never plays any sports. (D) Peter. He plays tennis every month.
- ( ) 40. What does them mean?
- (A) pet sitters (B) pets  
(C) pet owners (D) babysitters
- ( ) 41. Which is true about pet sitters?
- (A) They have problems having fun with pets. (B) They are rich because they often get a pay raise.  
(C) They can bring owners' pets home if they want. (D) They make money by solving pet owners' problems.

The astronauts living in the space stations might soon be able to enjoy fresh cookies. Thanks to a new space oven, a tool for cooking. Baking cookies is easy on the Earth, but it's more difficult in space. In space, hot air doesn't rise like it does on the Earth. Also, the dough might fly around in the oven because of the weightless condition.

A spaceship arrived at the International Space Station in November 2019. It carried a special space oven and some dough for making chocolate cookies. The astronauts in the space station used the dough to test on the new oven. The pieces of dough were all inside a kind of special bag, so they could stay put in the oven. While it takes about 20 minutes at 150°C to bake cookies on the Earth, it takes far longer in space. The astronauts baked the first piece of dough for 25 minutes, and the following two pieces were baked for 75 minutes at 150°C, but they were still dough when they were out of the oven. The astronauts then baked the fourth and the fifth pieces of dough for more than two hours at about 165°C. They looked brown and beautiful when they were out of the oven. However, the astronauts couldn't eat these cookies right away because the cookies might not be edible; that is, they might look successful but actually weren't ready. They had to send these cookies back to the Earth for future studies.

Don't feel sorry for these astronauts, though. The spaceship also brought them a few funny cookies to enjoy in space. If the new oven is successful, they might soon be able to make their own cookies, too.


 astronaut 太空人 dough 麵團 weightless 無重力的 stay put 靜止不動

- ( ) 42. What does "They" refer to?
- (A) The astronauts. (B) The special bags.  
(C) The first three pieces of dough. (D) The fourth and the fifth pieces of dough.

- ( ) 43. What does “edible” mean?  
 (A) Ready for sale. (B) Safe to eat. (C) Difficult to make. (D) Good to drink.
- ( ) 44. What is the news report mainly about?  
 (A) Most astronauts like to eat cookies. (B) The test on a new baking machine in space.  
 (C) The best way to make brown cookies. (D) The problems of eating and drinking in the spaceship.

Here is a simple test to know more about yourself. For questions 1 to 5, please choose your answers from A, B, or C:

		A	B	C
1	What do you think about learning?	Learning helps me become a better person.	I only learn something useful.	I seldom learn new things.
2	What do you think about your family?	I always take good care of my family.	I care about everyone in the world, not just my family.	I only take care of myself.
3	What kind of movies do you like?	Movies about being kind and loving.	Movies about saving money.	Movies about living a happy life.
4	What do you think about music?	It makes people have good feelings.	It makes people lose their minds.	It helps people express themselves.
5	How do you dress yourself every day?	I wear clean and proper clothes.	I don't care about my looks.	I follow my heart.

 proper 合適的 express 表達

If your answers to most of these questions are “A,” your thinking is like Confucianism. In your eyes, being a caring person is very important. Your family also means a lot to you. You enjoy reading books about being caring and kind because you think they teach you a lot.

If your answer “B” to most of these questions, you are a person of Mohism. You are practical. You don't spend time or money on something not useful. However, you treat people nicely because you think the world is like a big family.

If you choose “C” the most, you believe in Taoism. Usually, you follow your heart and try to enjoy every minute in your life. You don't care much about others' opinions of you. Also, you don't push yourself to study because you think there's too much to learn. Being happy is more important.

- ( ) 45. What does “they” mean in the reading?  
 (A) People that love their family. (B) Books about being a caring person.  
 (C) Answers to these questions. (D) Family that means a lot to you.
- ( ) 46. Mr. Wang is a practical person. Which of the following is the thing he won't buy?  
 (A) A bag of white rice. (B) A bottle of water.  
 (C) A comfortable bed. (D) A beautiful picture.
- ( ) 47. According to the reading, which might be the idea of Taoism?  
 (A) Listening to music is a good habit.  
 (B) We should try hard to learn new things.  
 (C) Watching movies about saving money is great.  
 (D) Dressing in clean clothes is important.

臺北市立萬芳高級中學 110 學年度第一學期第一次定期考查 試卷

科目: 英文 適用班級: 國中部 901-907


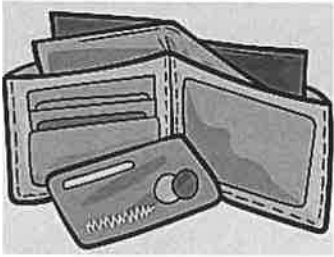


※答案卷請務必寫上姓名，手寫題請用黑色原子筆作答，違者各扣總分 5 分!

班級: \_\_\_\_\_ 座號: \_\_\_\_\_ 姓名: \_\_\_\_\_

選擇 (71%)	+	手寫 (29%)	=	總分
----------	---	----------	---	----

※手寫題請用黑色原子筆作答，違者一律扣 5 分!

五、單字測驗 12% (1-4 每題 1 分，5-8 每題 2 分)

			
1.	2. (w)	3.	4. (p)

5. 虛弱的	6. 有禮貌的	7. 大的(l)	8. 誠實的

六、填空(依提示字填空並做適當變化，每格不限一字) 8% (每題 1 分)

1. The homework \_\_\_\_\_ (do) by him yesterday.
2. *Harry Potter* \_\_\_\_\_ (read) all over the world.
3. His life \_\_\_\_\_ (end) yet. He will be a better person.
4. They \_\_\_\_\_ (invite) the new neighbor to the party yet because they are too busy.
5. These letters \_\_\_\_\_ (send) by the mail carrier three hours ago.
6. He \_\_\_\_\_ (be) a new man since Christmas. Everybody likes him.
7. Catherine \_\_\_\_\_ (live) here ten years ago. She lives in other country now.
8. Hebe isn't hungry now, so the cake \_\_\_\_\_ (eat) later.

七、依提示作答 9% (每題 3 分)

1. Bill/ make/ the pizza/ already/. (以 The pizza... 改寫句子)

\_\_\_\_\_

2. No, Joan hasn't left Taiwan yet. (畫線部分造原問句)

\_\_\_\_\_

3. Roger 昨晚看到一個老男人躺在床上。(翻譯)

\_\_\_\_\_



一、辨識句意【AAACB】

1. Mary has just heard a funny story.
2. Peter has got many presents
3. Lisa hates lying on a sofa.
4. The wallet was left on the table.
5. Halloween is celebrated in many countries.

二、基本問答【CACCA】

6. Have you finished your meal?
7. Have you ever been to Canada?
8. Where's Mom? I didn't see her in the kitchen.
9. Oh! That garbage smells terrible!
10. Can I have someone help me do my homework?

三、言談理解【BCCBA】

11. W: Tom, have you finished your homework?

B: No, I haven't. I'll do it before bed time.

W: Turn off the TV now. Do your homework first.

B: OK, Mom.

Q: What was Tom doing?

(A) He was sleeping.(B) He was watching TV.(C) He was doing his homework.

12. B: My dad works late every day.

G: He must be tired. Is your father a lawyer?

B: No, he is a police officer.

G: Oh, yeah. You've told me before. He has done that for over 20 years, right?

Q: What do we know about the boy's father?

(A) He is a lawyer.(B) He never feels tired.(C) He has been a police officer for many years.

13. W: Henry, you look terrible! What happened?

M: I haven't slept well for two days. My tooth hurts so badly.

W: You need to go to the dentist today.

M: I know. I've just called my boss and asked for a day off.

Q: Why does Henry look terrible?

(A) He went to the dentist.(B) His boss just called him.(C) He didn't have enough sleep.

14. B: Are these flowers dead?

G: No, they're still alive. They just haven't been watered for two days.

B: How often should they be watered?

G: Twice a day around 10 a.m. and 4 p.m.

Q: What do we know about the flowers?

(A) They've already been watered.(B) They must be watered twice a day.(C) They will die if they are not watered for a day.

15. M: How was your tennis game yesterday?

W: I won!

M: Great! Did you get a prize?

W: Of course! The prize was a camera! I am so happy because I was planning to buy a new one.

M: Wow! That's good!

Q: What is true about the dialogue?

(A) The woman won the tennis game.(B) The camera was bought by the woman.(C) The man was planning to buy a camera.

## 第二部分、綜合測驗

16-20 【BCCDD】 21-25 【BDDAC】 26-30 【DDAAB】

31-35 【BCABB】 36-40 【CCAAB】 41-45 【DDBBB】

46-47 【DA】

## 第五大題

1. piano 2. wallet 3. comb 4. present 5. weak 6. polite 7. large 8. honest

## 第六大題

1. was done 2. is read 3. hasn't ended 4. haven't invited 5. were sent

6. has been 7. lived 8. will be eaten

## 第七大題

1. The pizza has/ been made/ by Bill already. 或 The pizza has /already been made/ by Bill.

The pizza was/ made /by Bill already. 或 The pizza was /already made/ by Bill.

2. Has(n't) / Joan left / Taiwan (yet)?

3. Roger saw an old man / lying on the bed / last night.